

SySTIUM® TECHNOLOGIES



Assembly Guide

Model 133i

 SySTIUM® Technologies
MotherBoard Ready Solutions

Radio Frequency Interference Notice (USA)

This equipment has been tested and found to comply with the limits for a Class B digital device, pursuant to Part 15 of the FCC Rules, ***unless otherwise stated in the product specific Assembly Instructions***. These limits are designed to provide reasonable protection against harmful interference in a residential installation. This equipment generates, uses, and can radiate radio frequency energy and, if not installed and used in accordance with the instructions, may cause harmful interference to radio communications. However, there is no guarantee that interference will not occur in a particular installation. If this equipment does cause harmful interference to radio or television reception, which can be determined by turning the equipment off and on, the user is encouraged to try to correct the interference by one or more of the following measures:

- Reorient or relocate the receiving antenna.
- Increase the separation between the equipment and the receiver.
- Connect the equipment into an outlet on a circuit different from that to which the receiver is connected.
- Consult the dealer or an experienced radio/TV technician for help.

Any changes or modifications not expressly approved by the grantee of this device could void the user's authority to operate the equipment. The customer is responsible for ensuring compliance of the modified product.

Only peripherals (computer input/output devices, terminals, printers, etc.) that comply with FCC class B limits may be attached to this computer product. Operation with noncompliant peripherals is likely to result in interference to radio and TV reception.

All cables used to connect to peripherals must be shielded and grounded. Operation with cables, connected to peripherals that are not shielded and grounded may result in interference to radio and TV reception.

Manufacturer: Systium® Technologies, LLC

**New Hope, MN
763-537-3600**

Contact: Customer Support

Radio Frequency Interference Notice (CDN)

This Class B digital apparatus complies with Canadian ICES-003.

Cet appareil numérique de la classe A est conforme a la norme NMB-003 du Canada.

Declaration of the Manufacturer or Importer

This system is compliant with Low Voltage Directive 2006/95/EC using the standard EN60950-1:2006/A11:2009/A1:2010/A12:2011, (IEC 60950-1:2005 (2nd Edition); Am 1:2009).

This system is compliant with EU directive 2004/108/EC using the standards EN55022 and EN55024.

Disclaimer Statement

Systium® Technologies makes no warranty of any kind with regard to this material, including, but not limited to, the implied warranties of merchantability and fitness for a particular purpose. Systium Technologies assumes no responsibility for any errors that may appear in this document. Systium Technologies makes no commitment to update nor to keep current the information contained in this document. No part of this document may be copied or reproduced in any form or by any means without prior written consent of Systium Technologies.

† Third-party brands and trademarks are the property of their respective owners.

ASSEMBLY GUIDE

Assembly Safety Instructions

Assembly of a computer system using this product shall be assembled only by technically qualified personnel. Follow the instructions in the document “Model 133i Maintaining Regulatory Compliance” to meet and maintain the safety and product regulatory compliance of this product when assembling a computer system using this product.

- **WARNINGS**

Read and adhere to all of these instructions and instructions supplied with this assembly. Failure to follow these instructions will result in voiding the product regulatory compliance statements. The computer system will most likely be noncompliant with other regional product laws and regulations.

The procedures in this document assume familiarity with the general terminology associated with personal computers and with the safety practices and regulatory compliance required for using and modifying electronic equipment.

- **WARNINGS**

TO PREVENT ACCESS TO HIGH ELECTRICAL ENERGY PARTS, DO NOT REMOVE THE COVERS WHILE THE SYSTEM IS POWERED ON!

Do not open the power supply. The power supply in this computer contains no user-serviceable parts. To avoid personal injury or damage to your equipment, refer repair or replacement of the power supply to qualified technical personnel only. All other areas and components of this computer are considered user-accessible.

- **CAUTIONS**

Electrostatic discharge (ESD) can damage disk drives, add-in cards, and other components. Do the procedures described in this chapter only at an ESD workstation. If such a station is not available, you can provide some ESD protection by wearing an anti-static wrist strap and attaching it to a metal part of the chassis.

Motherboards can be extremely sensitive to ESD and always require careful handling. After removing the board from its protective wrapper or from the computer, place the board flat on a grounded, static-free surface, component side up. Use a conductive foam pad (if available) but not the board wrapper. Do not slide the board over any surface.

For proper cooling and airflow, always close the chassis before turning on the computer system. Operating the computer system without the chassis closed can damage system parts.

This system after final integration will weigh 6 lbs or more. Handle Carefully.

Before You Begin

1. Be sure to follow each procedure in the correct order.
2. Set up an equipment log to record the computer's model and serial numbers, all installed options, and other information about the computer. This information must be saved as a record of the product's configuration and compliance with the allowable configuration options.
3. We recommend that you use an anti-static wrist strap and a conductive foam pad when working on the computer.
4. You will need a Phillips (#1 and #2 bits) screwdriver and a flat tip pliers for assembly

Unpack the System

Systemium Technologies ships the Model 133i in a reusable “End-User ready” single package.

CAREFULLY UNPACK THE COMPUTER. Save the box and packaging material for shipment to the customer. If components are missing please contact your supplier or Systemium Technologies.



FIGURE 1

CONTENTS

The Model 133i System product contains the following:

- Model 133i Chassis assembled with
 - 200 Watt ATX Power Supply
 - Top and bottom panels
 - Momentary Power Switch,
 - Power LED
 - Dual 40mm Fan
 - 6/32 x 1/4" Undercut Flat screws – Black-q3
- North American Compliant Power Cord
- Integration Kit
- Quickstart Guide. **(This manual must be included in shipment to the End User.)**
- Assembly Guide



FIGURE 2

Integration Kit Contents:

- Eight (4) HDD isolating bumper (PN# 10001-02)
- Screw Kit includes:
 - Four (4) 6/32 x 1/4" – motherboard mounting
 - Eight (8) M3 x 5 – HDD mounting screws

Opening the System

1. Remove foam end caps and plastic bag. Save items for shipping assembled computer.



FIGURE 3

2. Place unit on work space in horizontal position.

Unit Disassembly

1. Remove the three (3) screws holding the top and bottom assemblies together
2. Separate the top and bottom halves.

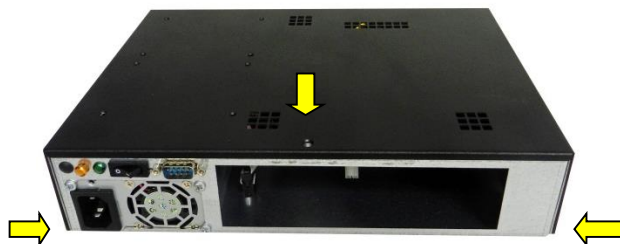


FIGURE 4



FIGURE 5

Installing Motherboard onto Bottom Plate

The SySTIUM Model 133i enclosure was designed to accommodate MINI-ITX motherboards utilizing the I/O shield that is supplied with them. The installation detailed below is for the Intel DQ67EP MINI-ITX board.

1. Before placing the motherboard into the lower unit, install the supplied I/O shield into the bottom plate and snap into place as shown in Figure 6.



FIGURE 6

2. Install motherboard.
 - a. Install the Motherboard using the Four (4) 6/32x1/4" screws from Integration Kit.
 - b. Install DIMM Memory per manufacturer's instructions.
 - c. Install the CPU onto the board per the processor instructions – verify that the 1155 hold down bar is fully engaged.
 - d. Install the CPU Fan Heat Sink by pressing the lock down tabs in.
 - e. Connect the Power Switch cable and Power ON LED cable as shown in Figures 7a – 7c.

Installing HDD(s)

Intel DQ67EP Diagram

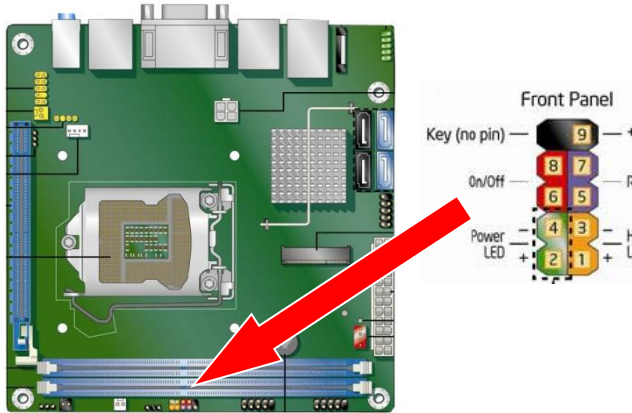


FIGURE 7a

1. Install insulating HDD bumpers as shown in Figure 8. Position the HDD bumpers over the HDD screw holes. The HDD bumpers have a centering hole punched through them. There is adhesive on the back. Align the bumpers over the holes and press down to install.

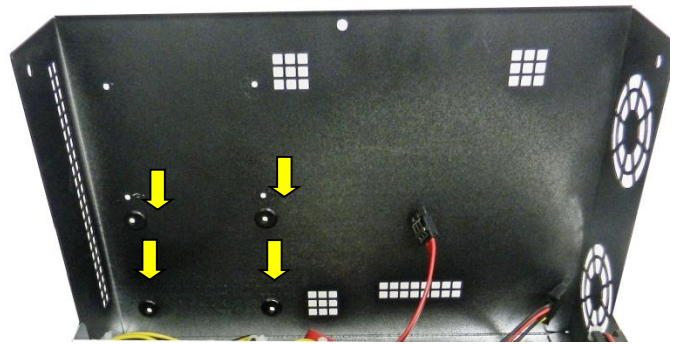


FIGURE 8



FIGURE 7b

2. a. If using a single drive - Install the 2.5" HDD over the insulating bumpers using the four (4) supplied M3 x 5 mounting screws as shown in Figure 9a



FIGURE 9a

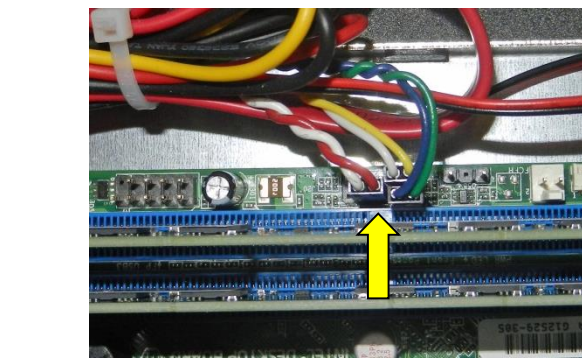


FIGURE 7c

- b. If using two drives - Install the second 2.5" HDDs over the insulating bumpers using the four (4) supplied M3 x 5 mounting screws.

Attaching Top and Bottom Plates



FIGURE 10

1. Position the linking tabs from the top plate through the bottom plate. Attach the following cables:
 - a. SATA I/O cable (s)
 - b. SATA power cable (s)
2. Dress Cables as shown in Figure 10.
3. Carefully close the top and bottom halves taking care not to crush any cables.
4. Attach the top and bottom halves together with the three (3) screws removed during disassembly.



FIGURE 11

Power up the System

1. Attach the North American AC Power cord as shown in Figure 12.



FIGURE 12

2. Attach peripherals needed to operate the computer system.
3. Turn on the computer by pressing the power switch on the rear panel. Refer to the Quick Start Section of this manual for more information.
4. Test the complete operation of the computer using a known good computer functional test program
5. . Install any required operating system or application software.
6. Disconnect the computer from the peripherals used during the testing phase. Package the computer using the original packaging.

NOTE:

You must include the End User Quick Start manual in the shipment to the customer to maintain Regulatory Compliance.

Appendix 1: Wall Mounting Instructions for 133 or 133i

For wall mounting the Model 133 / 133i you will need:

- a. Level
- b. Tape Measure
- c. Screwdriver (Philips #2)
- d. Screws (# 10 screw, 1.25in minimum - 2in) recommended)
- e. Marker

Optional:

- f. Wall Anchors

NOTE: *The Model 133 / 133i weighs a little less than 6 lbs. The Wall should be able to support 30lbs.*

NOTE: *Orientation- The Model 133 / 133i's intended mounting is vertical with I/O shield and cables on the top. Any orientation other than the I/O Shield and cables on the top will Null & Void the safety certifications.*

1. Mark two (2) holes 11.75 inches (29.9cm) apart and level.
2. Drill holes.
 - a. It is preferred to drill into stud walls, or plywood 1/2" thick. If neither is available wall anchors will be needed.
3. Mount Model 133 / 133i with two (2) screws onto the wall as shown in Figure 13 below. It is critical that the I/O shield face up in the mounted position in order to maintain safety certification.

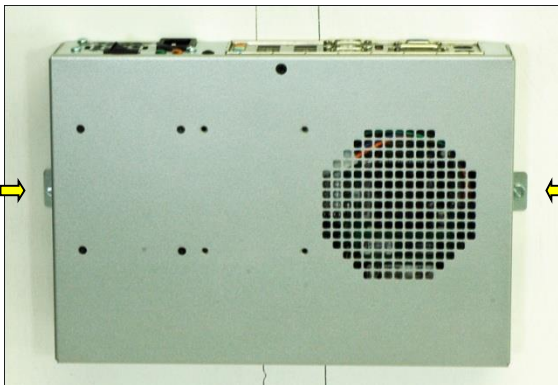


FIGURE 13